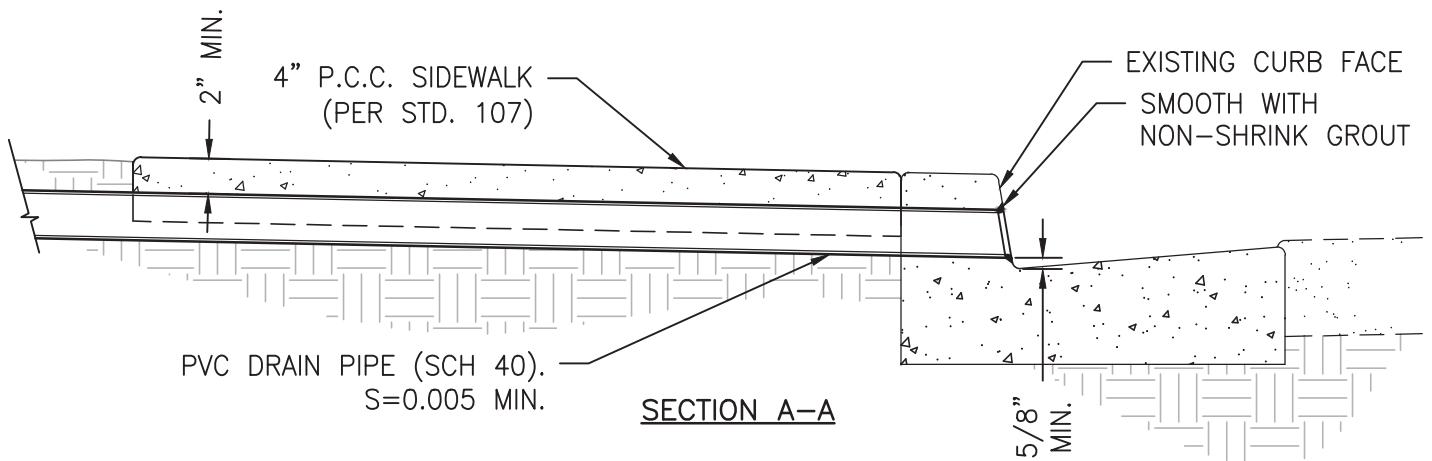


PLAN



SECTION A-A

NOTES:

1. MAXIMUM PIPE SIZE TO BE 3" DIAMETER FOR 6" CURB AND 4" DIAMETER FOR 8" CURB.
2. PORTLAND CONCRETE CEMENT MIX SHALL BE PER GREENBOOK (SSPWC), 520-C-2500.
3. COMPACTION OF NATIVE SUBGRADE SHALL MEET 90%, UNLESS SPECIFIED OTHERWISE BY THE CITY ENGINEER.
4. WEAKENED PLANE JOINTS SHALL BE CONSTRUCTED PER GREENBOOK (SSPWC) SECTION 303-5.4.3.
5. CORE DRILL EXISTING CURB A MINIMUM OF 5/8" ABOVE FLOW LINE AND CHAMFER EDGES AT CURB FACE. FILL ANNULAR SPACE AND SMOOTH WITH NON-SHRINK GROUT.



CITY OF LAGUNA BEACH PUBLIC WORKS DEPARTMENT

REV.	DATE

CURB DRAIN OUTLET

APPROVED BY:

03/29/2022

MARK A. TRESTIK, CITY ENGINEER, R.C.E. 53708

DATE

STANDARD PLAN

109

1 OF 1