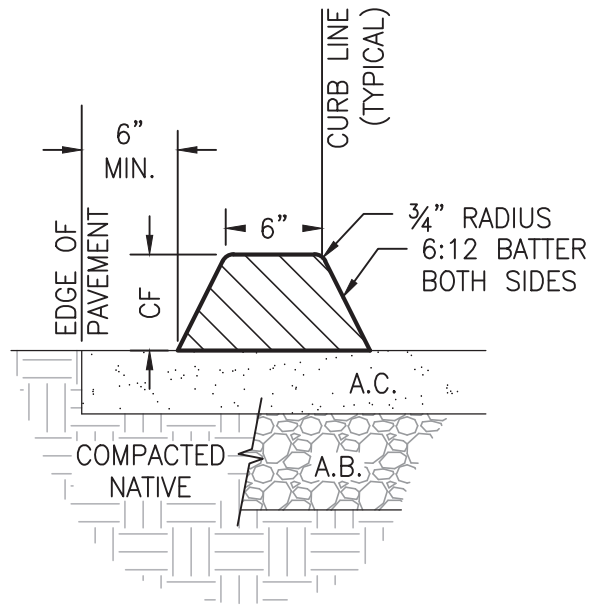
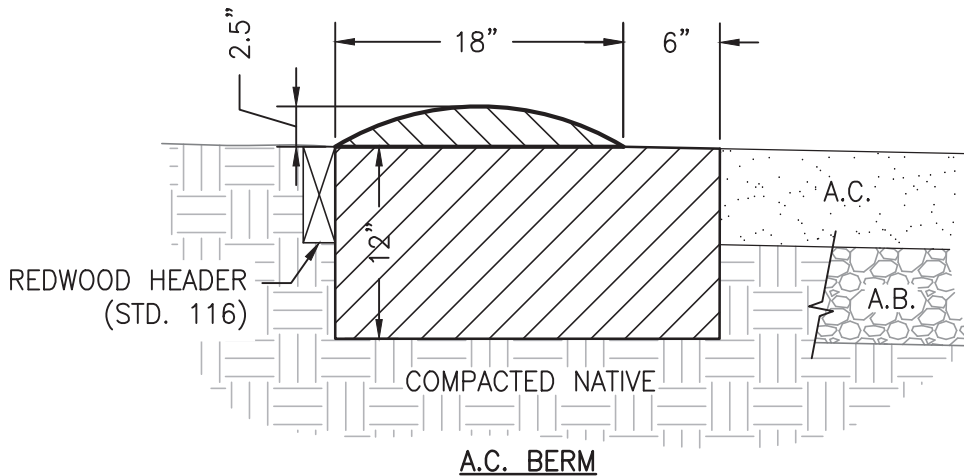


**TYPE 1 – A.C. DIKE**



**TYPE 2 – A.C. DIKE**



**A.C. BERM**

**LEGEND**



PG 70-10 TYPE D WITH 1%  
ADDITIONAL BINDER



PG 64-10 TYPE C2 OR III-C3

**NOTES:**

1. TACK COAT ALL SURFACES TO BE PAVED AND ADJACENT SURFACES TO BE PAVED AGAINST WITH EITHER SS-1H EMULSIFIED ASPHALT OR PG 64-10 PAVING ASPHALT.



**CITY OF LAGUNA BEACH PUBLIC WORKS DEPARTMENT**

REV.	DATE

**A.C. DIKES AND BERM**

APPROVED BY:

03/29/2022

MARK A. TRESTIK, CITY ENGINEER, R.C.E. 53708

DATE

STANDARD  
PLAN

**111**

1 OF 1