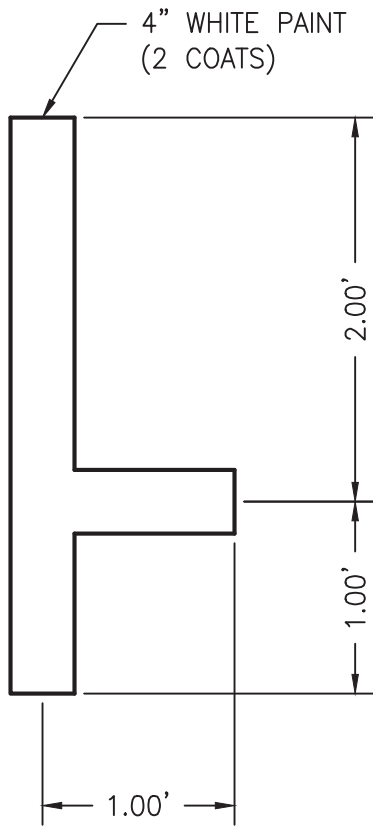
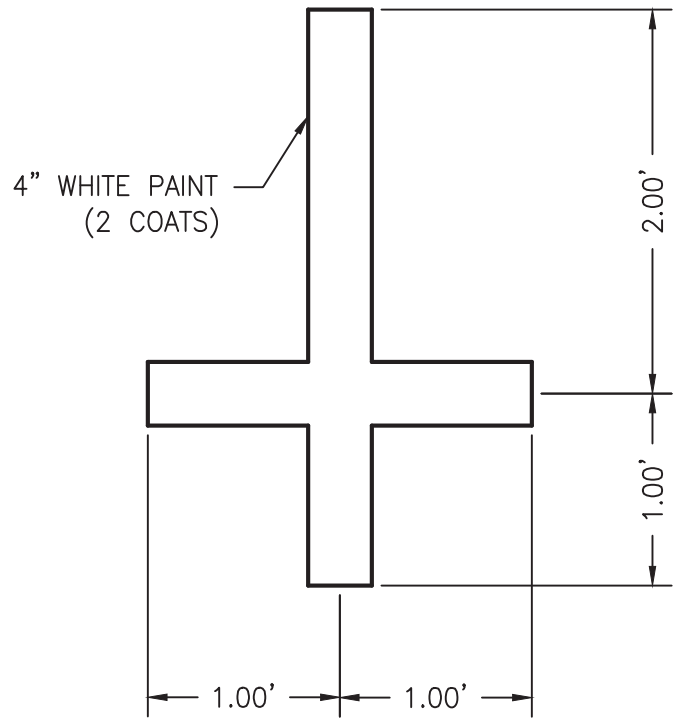


NOTES:

- 1. MINIMUM LENGTH IS 15 FEET*.
- 2. MINIMUM WIDTH IS 8 FEET*.
- *MAY VARY WITH ENGINEER APPROVAL.



DETAIL "A"



DETAIL "B"



CITY OF LAGUNA BEACH PUBLIC WORKS DEPARTMENT

REV.	DATE

PARKING BRACKET

APPROVED BY: *Mark A. Trestik*

MARK A. TRESTIK, CITY ENGINEER, R.C.E. 53708

03/29/2022

DATE

STANDARD PLAN

400

1 OF 1